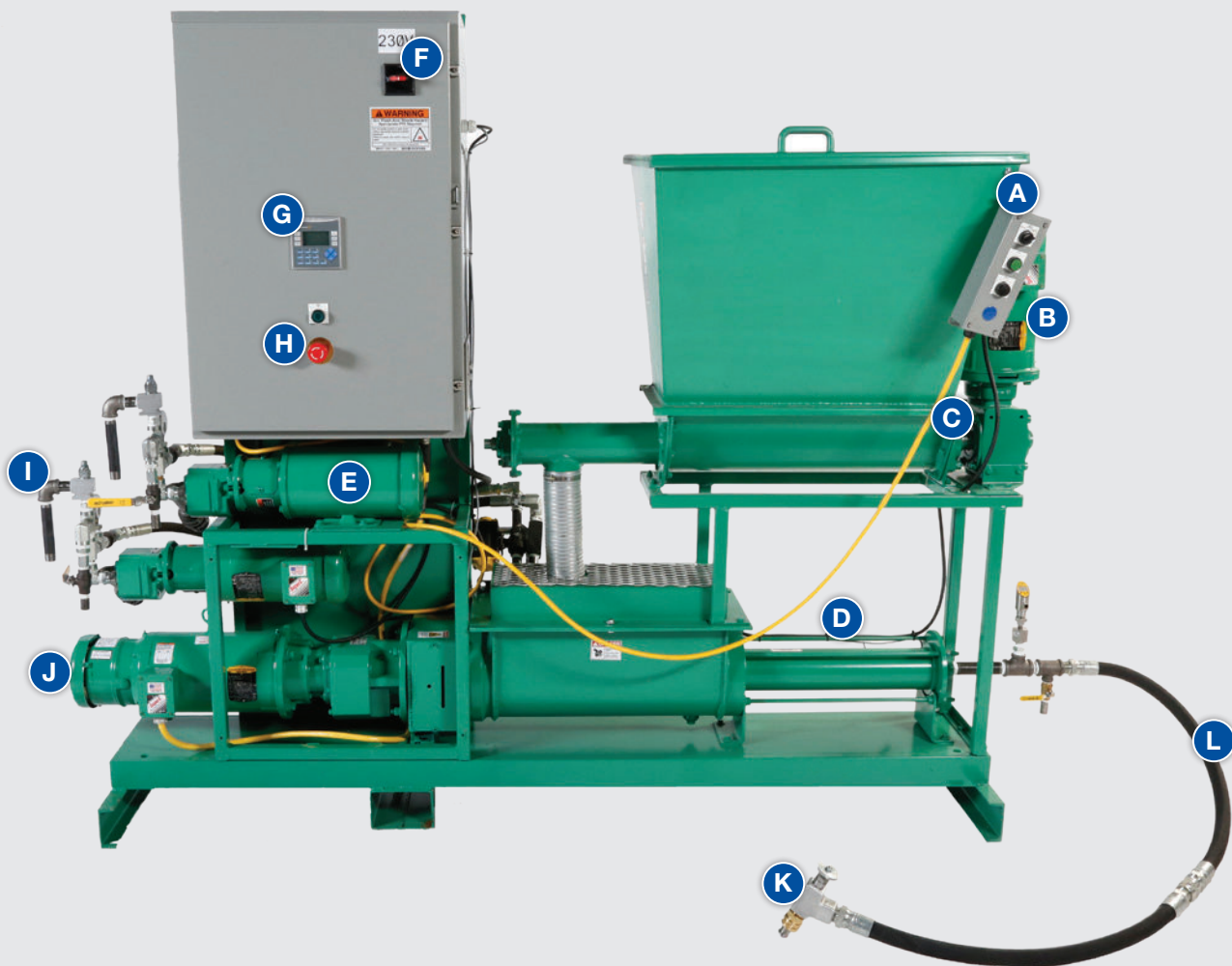


# Green Machine

## PARTS CATALOG

**We keep the world rolling.**  
No flats, smoother ride, more protection.

**TyrFil**™  
A **CARLISLE** BRAND



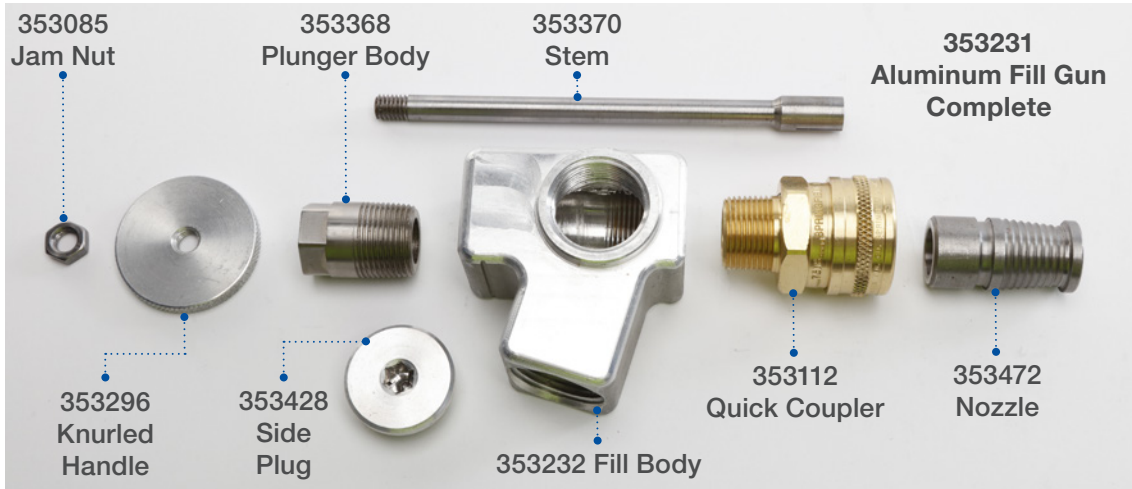
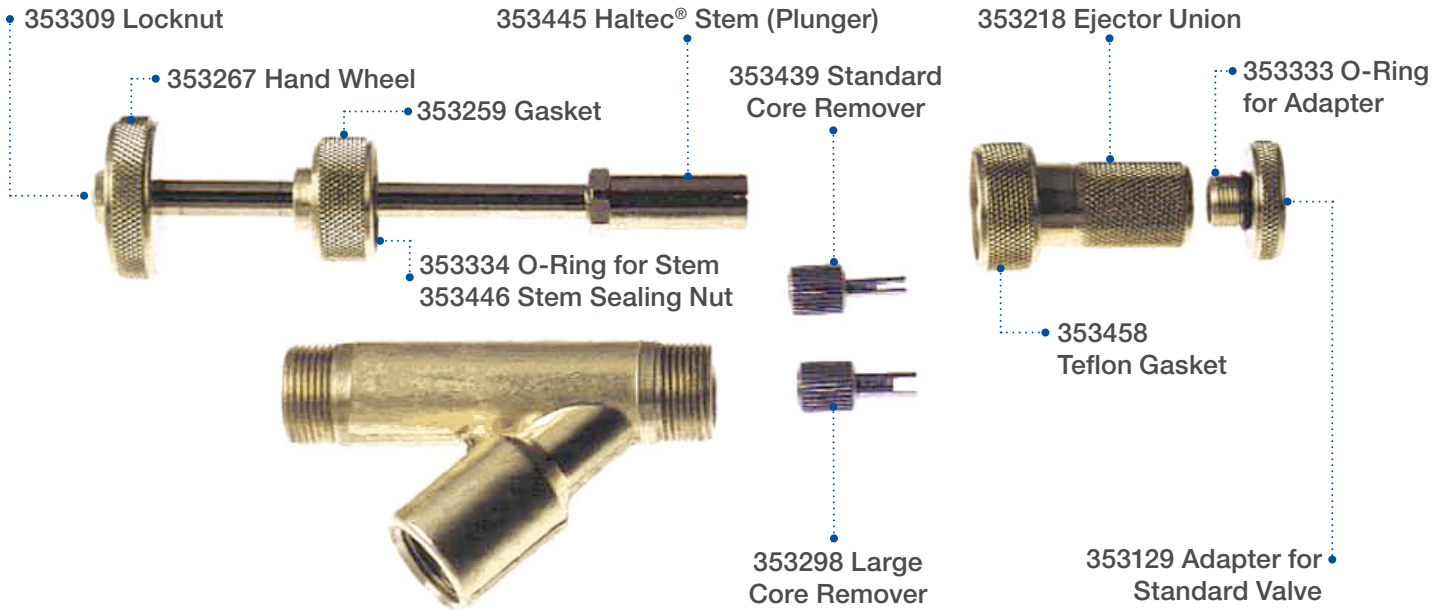
- |                                        |                                                  |
|----------------------------------------|--------------------------------------------------|
| <b>A</b> 353183 – GM Remote with Cord  | <b>G</b> 353366 – Programmable Logic Controller  |
| <b>B</b> 353179 – 3 HP 3-Phase Motor*  | <b>H</b> 353217 – Emergency Stop Button          |
| <b>C</b> 353149 – Hopper Bearing       | <b>I</b> 353374 – Pressure Relieve Valve         |
| <b>D</b> 353441 – Stator               | <b>J</b> 353101 – 5 HP 3-Phase Electric Motor*** |
| <b>E</b> 353032 – 2 HP 3-Phase Motor** | <b>K</b> 353231 – Fill Gun Assembly              |
| <b>F</b> 353351 – On/Off Switch        | <b>L</b> 352953 – 1" x 36" Male Hose with Swivel |

\* Early GM used 1 ½ HP Motor

\*\* Some models use 353101

\*\*\* 5 HP Motor with Brake Assembly

**353470  
Haltec® Gun Complete**





353079  
Ball Valve Tire Injector Assembly



353078  
Ball Valve Stem Adapter Assembly



353464  
Hose Kit



353052  
3/4" Check Valve



353161  
5HP Brake Assembly



353235  
Gauge Assembly



353157  
Gear Pump



353077  
Gear Pump Transfer Hose



6ft - 353107  
1" Hose





353374  
Pressure Relief Valve



353068 \*for 4<sup>th</sup> Gen  
Electronic switched,  
air-powered Ball Valve



353149  
Hop Bearing



353231  
Fill Gun Assembly



A. 353426 Selector  
Switch GM Remote  
B. 353174 Button for  
GM Remote Handle  
353183  
Complete Jog Box



353208 \*For 4<sup>th</sup> Gen  
Pressure Transmitter  
with Digital Readout

Visit [www.CarlisleTyrFil.com](http://www.CarlisleTyrFil.com) for specs, weight charts, and more!

**We keep the world rolling.**  
No flats, smoother ride, more protection.

**Carlisle TyrFil**  
140 Sheldon Road, Berea, OH 44017 | (800) 821-4147 | [www.CarlisleTyrFil.com](http://www.CarlisleTyrFil.com)

08.12.22 © 2022 Carlisle.  
TFS-13276 - "Green Machine Parts Catalog"



Carlisle is a trademark of Carlisle. TyrFil is a registered trademark.  
Haltec® is a registered trademark of the Haltec Corporation.